

Note: Drawings not to scale.

Perry Slingsby FL-5 Kit Parts List

Standard FL-5 Kit parts. Order as PSS-FL-5-KIT

ITEM NO.	PART NUMBER	DESCRIPTION	QTY.
1	PSS-FL-5	Main FL-5 Assembly*	1
2	PSS-4050	4050 Tester	1
3	AWS-FL-5-DK	Square Drive	1
4	DCPA-110M	110v Power Supply	1
5	ICBL-5000L	6 Foot Transducer Cable	1
6	PSS-FL-5-CASE	FL-5 Transport Case	1
7	PSS-FL-5-FOAM	FL-5 Case Foam	1

Perry Slingsby FL-5 Optional Parts List

Not Included with an order of PSS-FL-5-KIT. Please order individually.

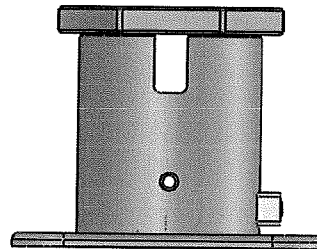
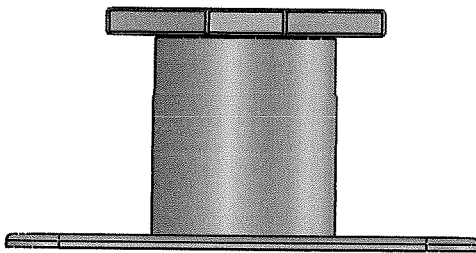
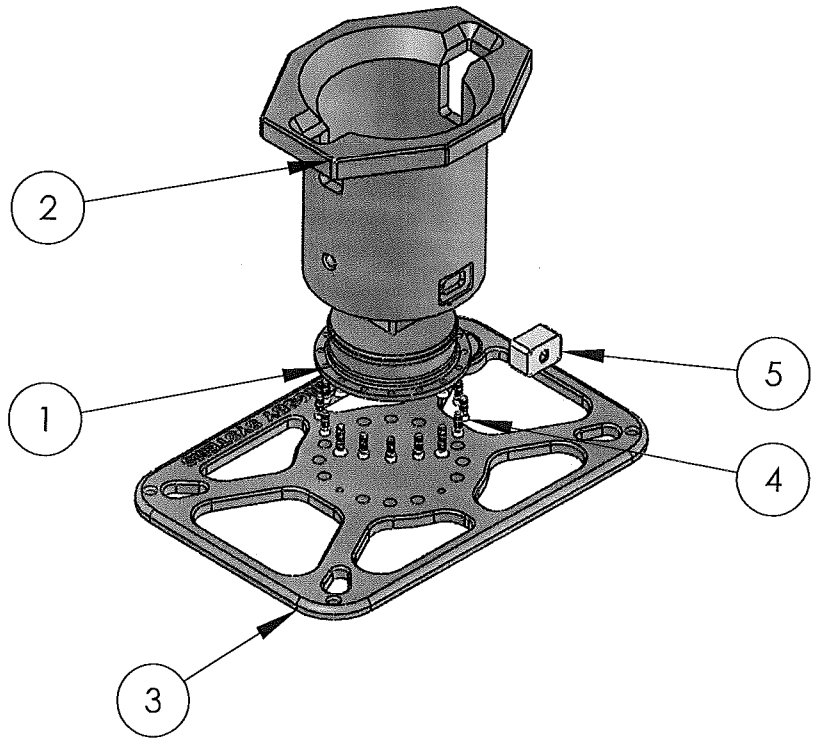
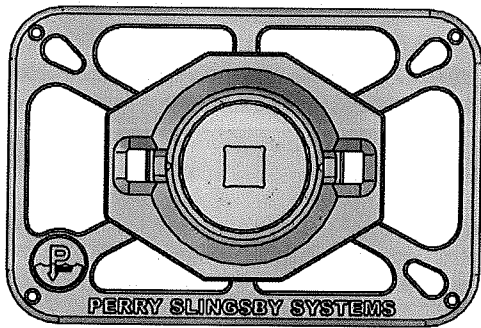
ITEM NO.	PART NUMBER	DESCRIPTION	QTY.
1	DCPA-220M	220v Power Supply	1
2	CBL-RS232	Serial Cable for 4050	1
3	AWS-FL-5-SPARES-KIT	Accessory kit (spares of: power supply, drive kit, transducer cable, and bolt kit)	1

*Note: Class 5 Receptacle fully conforms to ISO 13628-8

	NAME	DATE
DRAWN	TLA	9-11-07

PSS-FL-5-KIT

SHEET 1 OF 1

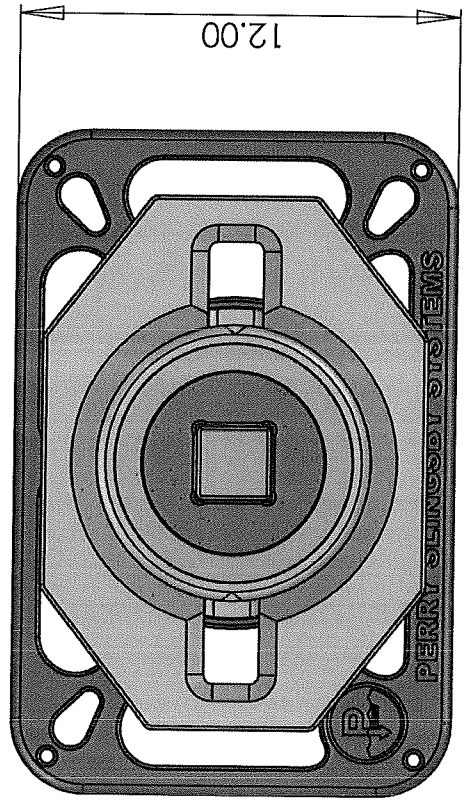
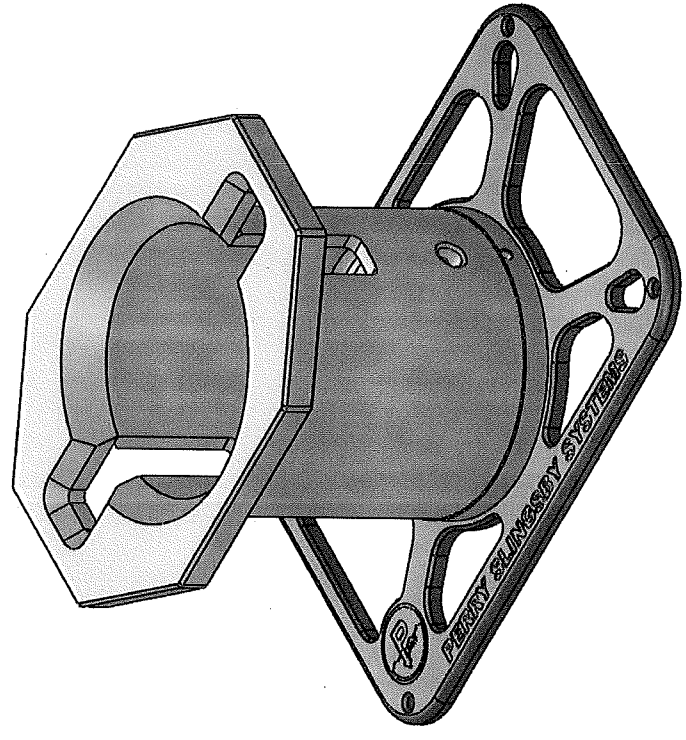
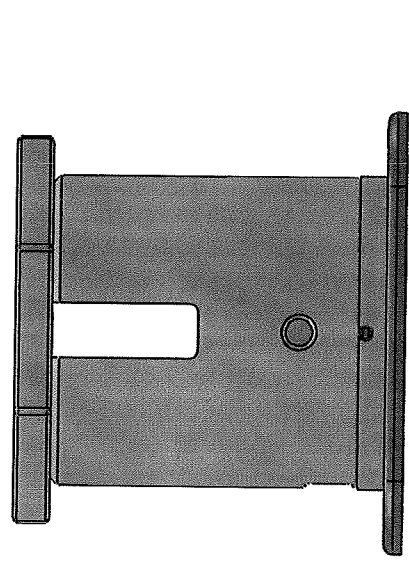
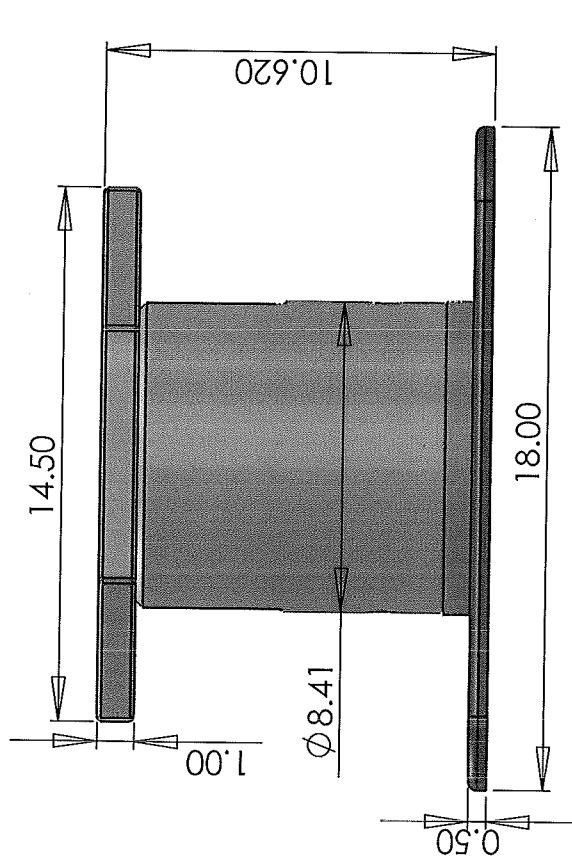


ITEM NO.	PART NUMBER	DESCRIPTION	QTY.
1	PSS-FL-5-TRANS	FL-5 Transducer	1
2	PSS-FL-5-BUCKET	FL-5 Bucket Assembly	1
3	PSS-FL-5-BASE	FL-5-Baseplate	1
4	PSS-FL-5-BOLT-KIT	FL-5 Fastener Kit	1
5	PSS-FL-4-TD-BRKT	Transducer Connector Bracket	1
6	AWS-FL-5-DK	FL-5 Square Drive (not shown)	1

	NAME	DATE
DRAWN	TLA	9-11-07

PSS-FL-5

SHEET 1 OF 1



DWG. NO.
FL-5 Assembly
 SCALE: 1:5
 SHEET 1 OF 1

