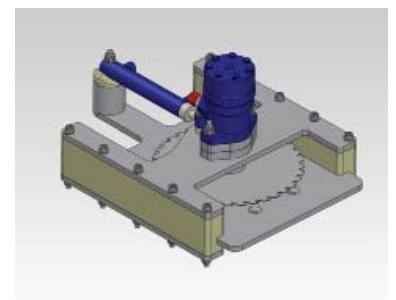
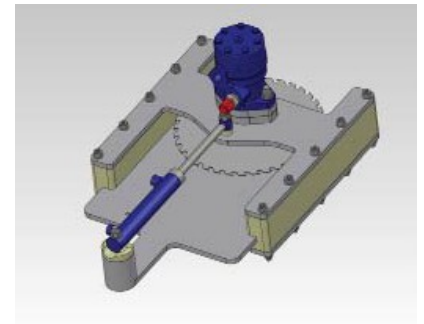
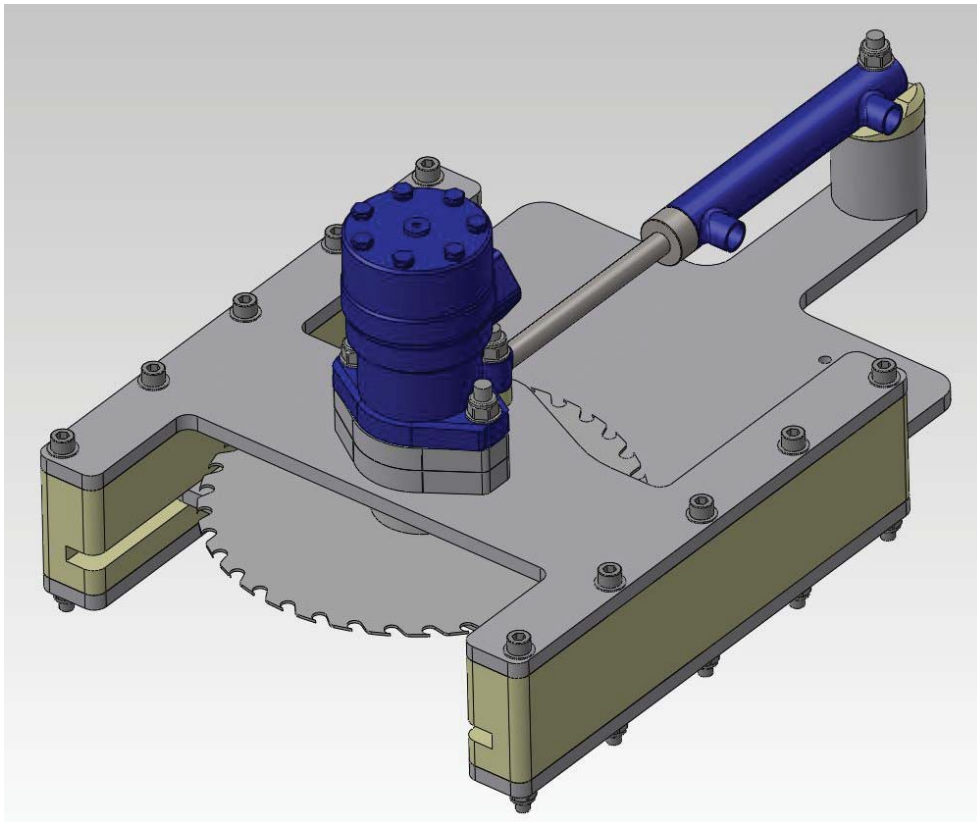


Manipulator Mounted Saw

Cutters & Grinders



DESCRIPTION

Using a 14" tungsten carbide saw blade the Manipulator Mounted Saw cuts through a multitude of materials with absolute ease and dexterity. Specially designed to mount on any manipulator wrist, using adaptor plates, the material to cut is simply grabbed with the manipulators jaws, held in place and cut in seconds.

Designed to fit to, rather than being held by the manipulator retains full function of the manipulators movements for further Subsea tasks without limitation. Once a material is located in position the blade is switched on and fed towards the material, on completion of a cut the blade retreats within the saws body protecting it and the manipulator from entanglement or obstruction and allows the next target to be located in moments.

FEATURES

- Suitable for cutting
- Anchor Chain
- Wire Rope
- Drill String
- Various types of steel pipes
- Coflexip

Manipulator Mounted Saw

Cutters & Grinders

SPECIFICATIONS

HYDRAULIC INPUT

- Pressure 140 Bar – 210 Bar
- Flow 40 l/min

SUITABLE FOR CUTTING

- Anchor Chain
- Wire Rope
- Drill String
- Various types of steel pipes
- Coflexip

PART NUMBERS & OPTIONS

SRTS-049	Manipulator Saw
SRTS-049-S	Spares Kit
SRTS-049-H	Hose Kit
SRTS-049-01	Tungsten carbide blade
SRTS-049-02	Diamond blade
SRTS-049-03	Motor
SRTS-049-04	Hydraulic cylinder

WHAT'S IN THE BOX

- Manipulator Saw
- Adaptor plate
- Tungsten carbide blade
- Operational hoses
- Manual

Scorpion Subsea

604 Greenwood St.
Morgan City, LA 70380

985-255-4444
sales@scorpionsubsea.com
www.scorpionsubsea.com

Datasheet SRTS_PRDS_849 0 Issue 1