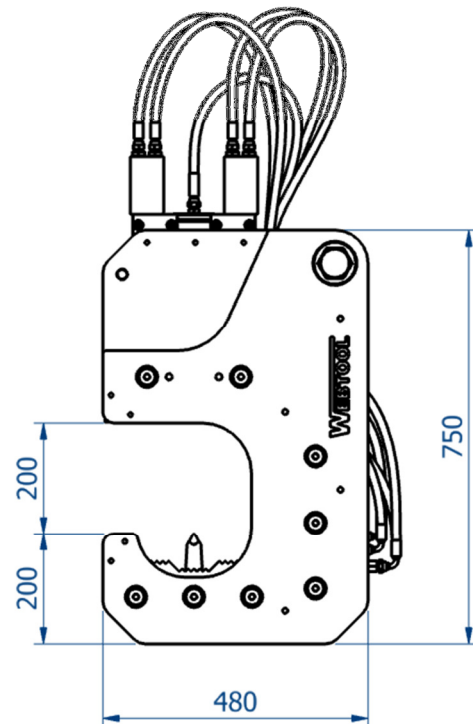
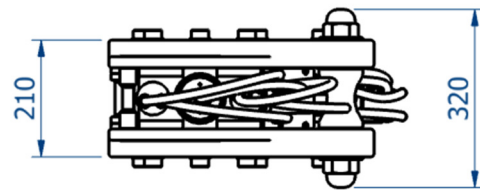




## WGO190 – CABLE GRIPPING & LIFTING TOOL



- Hydraulically operated cable grabbing tool for retrieval and decommissioning projects
- Corrosion resistant aluminium and stainless steel construction
- Robust and lightweight
- Secondary locking system ensures that gripping force will not release during lifting
- Integrated internal relief valve
- Approx weight – 155kg
- Lifting/gripping capacity – 20 tonnes
- Jaw capacity – Maximum  $\text{Ø}190\text{mm}$
- Can be used at any water depth
- Suitable for lifting cables and umbilicals
- Gripper can be supplied with optional integrated hydraulic intensifier
- Standard tool is shown above. Bespoke and custom designs to suit special applications are available on request

Scorpion Subsea  
604 Greenwood St.  
Morgan City, LA 70380