

ISO 13628-8 Class 1-4 (API 17D) Subsea Torque Tool Verification Unit.



DESCRIPTION

This unit has been developed to give sub-sea confirmation of torque tool calibration. It consists of a standard class 1-4 torque reaction bucket with a compact torque sensor. To change shafts only one bolt has to be undone.

Torque is displayed on separate universal subsea display unit. The display contains a power on indicator (green LED) and battery low indicator (red LED). The unit can operate continuously for 30 hours, but if no activity is detected after 10 minutes the unit will go into 'sleep' mode and the display will power down, sleep mode can be maintained for up to eight days. The display will 'wake up' as soon as there is a change in signal.

FEATURES

ISO 13628-8 Fig 18 (API 17D) Class 1-4

Max torque 2,700Nm(2,000 ft lbs)

4,000 m Rated

Interchangeable Shafts

Self Contained Unit

Rechargeable Battery or ROV power

Supplied in offshore suitable transit case

ISO 13628-8 Class 1-4 (API 17D) Subsea

Torque Tool Verification Unit.

SPECIFICATIONS

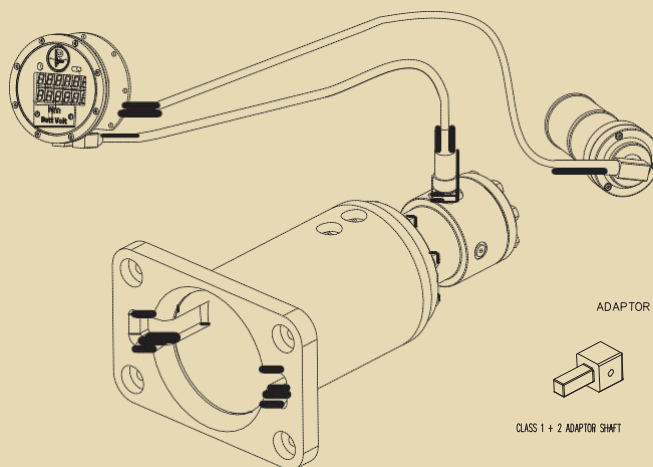
Torque Interface:	ISO 13628-8 fig 18 Class 1-4
Maximum Torque:	2,700Nm (2,000ft lbs)
Battery Life	30 hours permanently on. 200 hours in sleep mode. (Sleep mode auto on). Aluminium
Materials:	Housing, St St Shafts.
Weight (Air/Water):	22/18kg

WHAT'S IN THE BOX

- Dual Line USD
- Battery Pack
- Subsea verification Unit
- Battery Charger
- Connection Cables
- PC Calibration Software
- Class 1 +2 Shaft
- Class 3 Shaft
- Class 4 Shaft
- Operations & Maintenance Manual.

PART NUMBERS & OPTIONS

A019-958-601	Subsea Verification Unit.
A019-958-174	High Torque Tool Adaptor for Verification Unit (Includes adaptor and 35mm AF Square Shaft)
A019-958-175	Petrobras Torque Tool Adaptor for Verification Unit (Includes adaptor and 1-3/8"mm AF Hex Shaft)



ADAPTOR SHAFTS INCLUDED WITH SYSTEM

