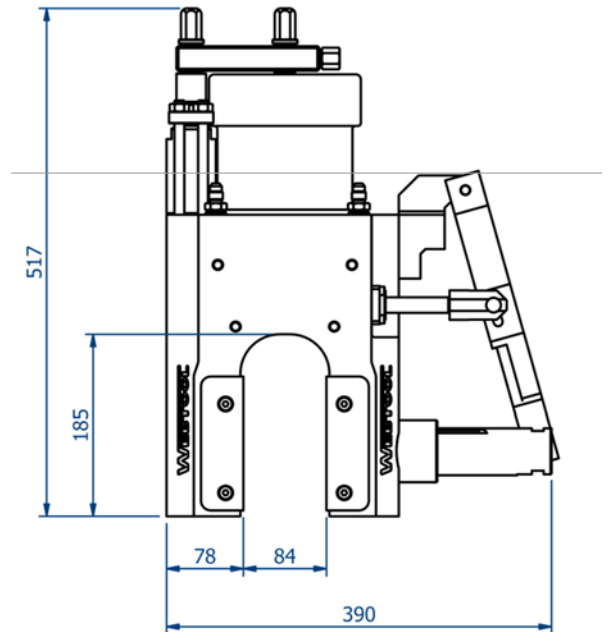
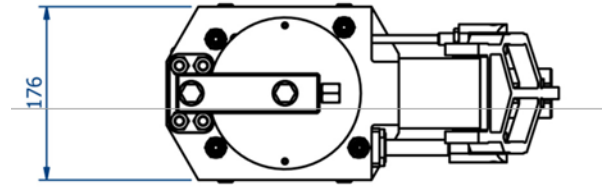




## RCV75HD – WIRE ROPE CUTTER



- Heavy duty wire rope cutter designed for use in severe working conditions
- Hydraulically operated anvil for easy ROV deployment
- Lightweight aluminium construction
- Long blade life ensures that tool maintenance is kept to a minimum
- Integrated interlock ensures that the blade cannot activate until the anvil is fully deployed
- Integrated hydraulic intensifier and internal relief valve
- Cutting capacity – Maximum  $\text{Ø}75\text{mm}$  wire rope of  $1960\text{N/mm}^2$  grade
- Can be used at any water depth
- Suitable for cutting wire rope, cables and umbilicals
- 210 bar max input pressure
- Approx weight – 43kg
- Standard tool is shown above. Bespoke and custom designs to suit special applications are available on request

Scorpion Subsea  
604 Greenwood St.  
Morgan City, LA 70380  
985-255-4444