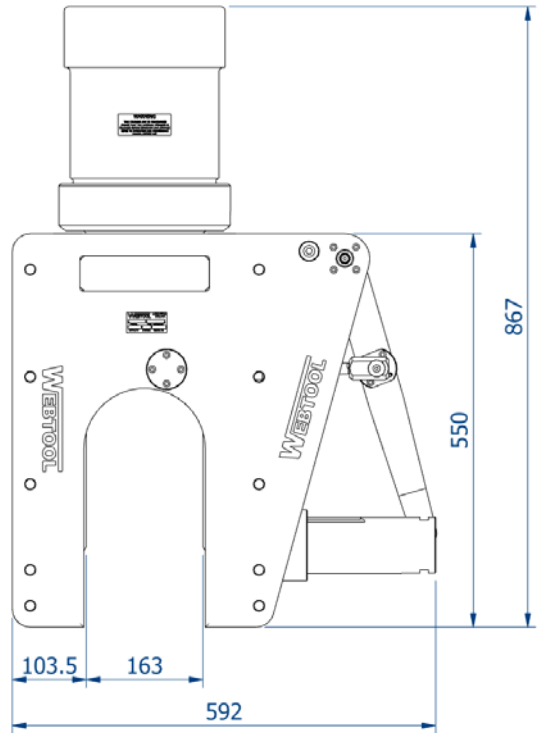
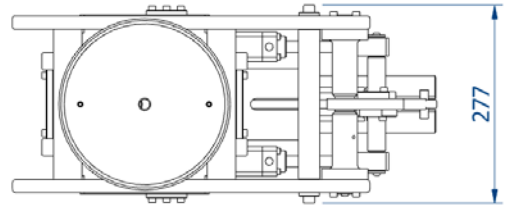




## RCV155 – WIRE ROPE CUTTER



- Heavy duty wire rope cutter designed for use in severe working conditions
- Hydraulically operated anvil for easy ROV deployment
- Robust plated steel and stainless steel construction
- All steel components are electroless nickel plated to resist corrosion
- Long blade life ensures that tool maintenance is kept to a minimum
- Optional intensifier panel is available
- Cutting capacity – Maximum  $\text{Ø}155\text{mm}$  wire rope of  $1880\text{N/mm}^2$  grade
- Can be used at any water depth
- Suitable for cutting wire rope, cables and umbilicals
- 690 bar maximum input pressure for main cylinder
- 210 bar max input pressure for anvil
- Approx weight – 240kg
- Standard tool is shown above. Bespoke and custom designs to suit special applications are available on request

**Scorpion Subsea**  
**604 Greenwood St.**  
**Morgan City, LA 70380**  
**985-255-4444**