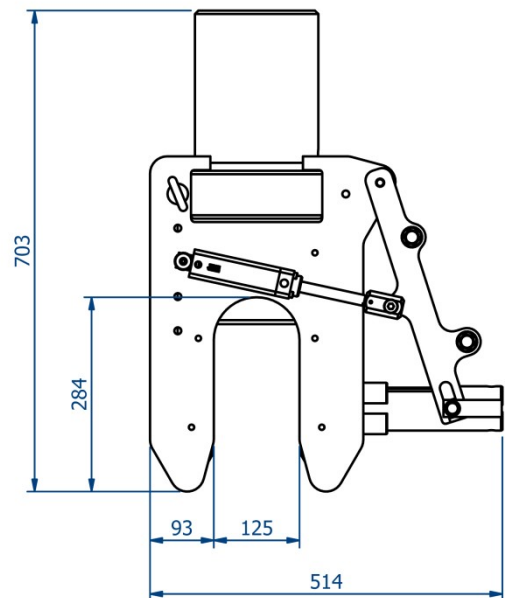
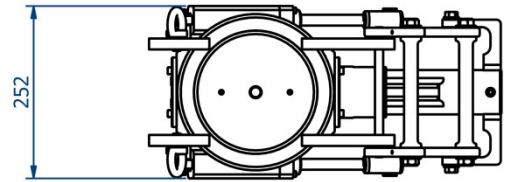
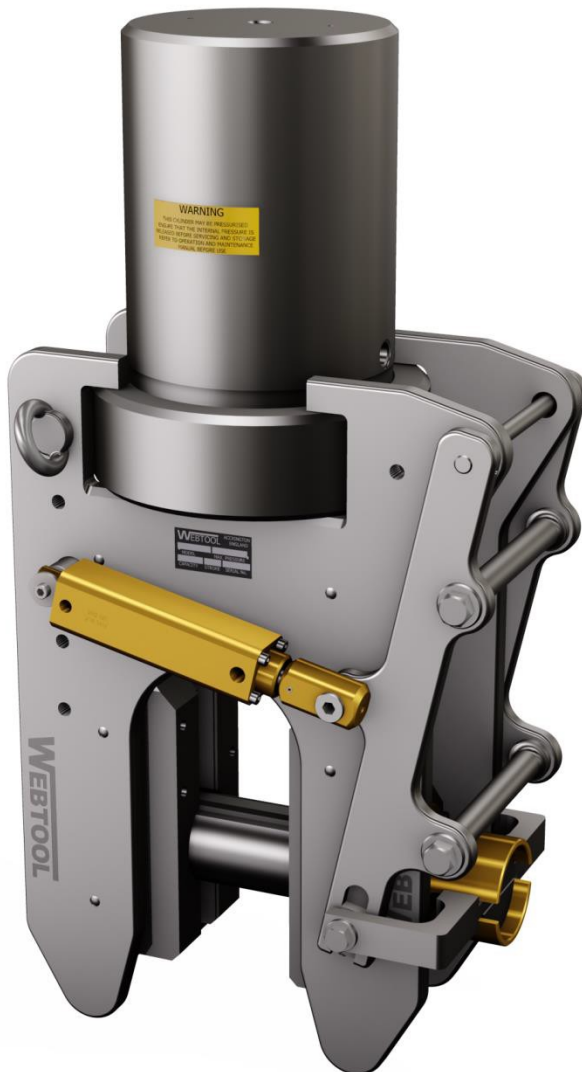


RCV115 – WIRE ROPE CUTTER



- Heavy duty wire rope cutter designed for use in severe working conditions
- Hydraulically operated anvil for easy ROV deployment
- Robust plated steel and stainless steel construction
- All steel components are electroless nickel plated to resist corrosion
- Long blade life ensures that tool maintenance is kept to a minimum
- Optional intensifier panel is available
- Cutting capacity – Maximum $\varnothing 115\text{mm}$ wire rope of 1770N/mm^2 grade
- Can be used at any water depth
- Suitable for cutting wire rope, cables and umbilicals
- 690 bar maximum input pressure for main cylinder
- 210 bar max input pressure for anvil
- Approx weight - 125kg
- Standard tool is shown above. Bespoke and custom designs to suit special applications are available on request