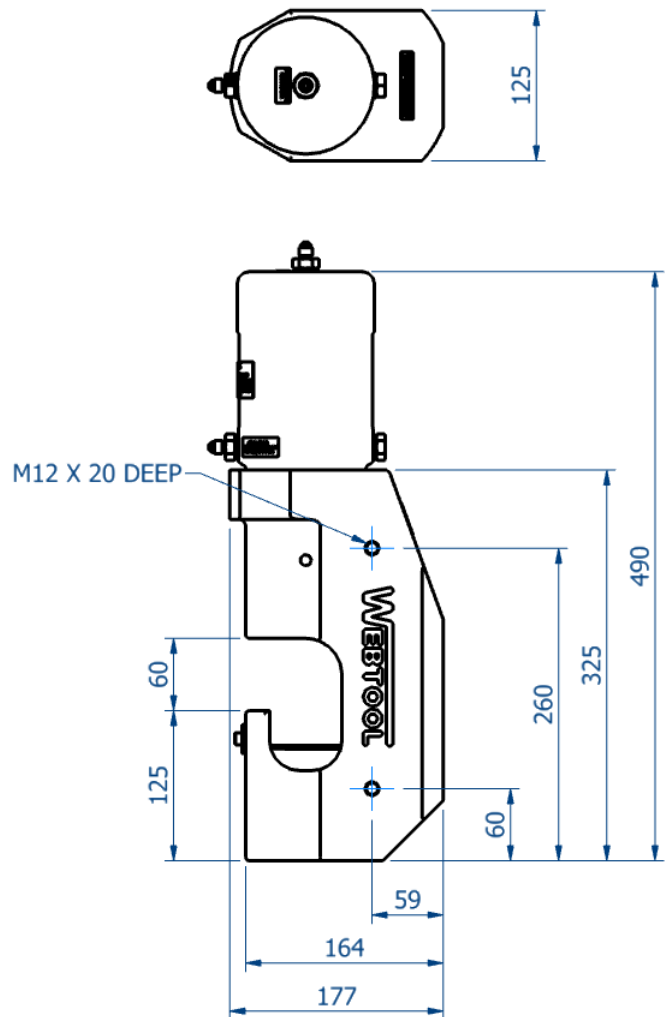


# RCO54 – WIRE ROPE CUTTER



- Heavy duty wire rope cutter designed for use in severe working conditions
- Open sided design allows for easy positioning of the cutter on the cable
- Blade shaped anvil cuts higher grade cable
- Corrosion resistant stainless steel body with Nitrotec coated alloy steel cylinder
- Long blade and anvil life ensures that tool maintenance is kept to a minimum
- Ideal for operation in confined spaces
- Optional hydraulic intensifier panel is available
- Optional handle is available
- Cutting capacity – Maximum  $\text{Ø}50.8\text{mm}$  (2") wire rope of 1960/ $\text{mm}^2$  grade
- Can be used at any water depth
- Suitable for cutting wire rope, cables and umbilicals
- 700 bar maximum input pressure
- Supplied with 10k rated JIC No 4 fittings
- Approx weight – 44kg
- Standard tool is shown above. Bespoke and custom designs to suit special applications are available on request