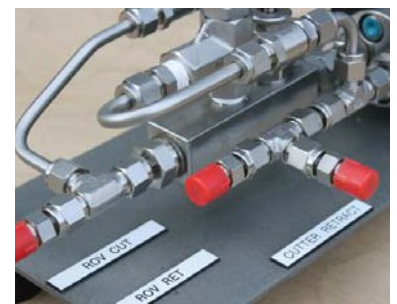
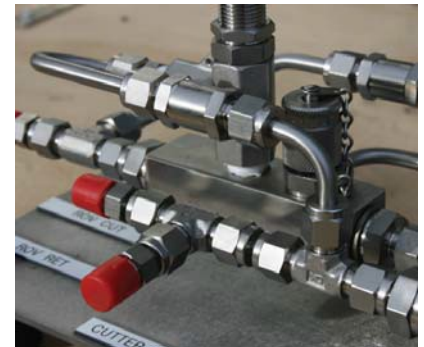
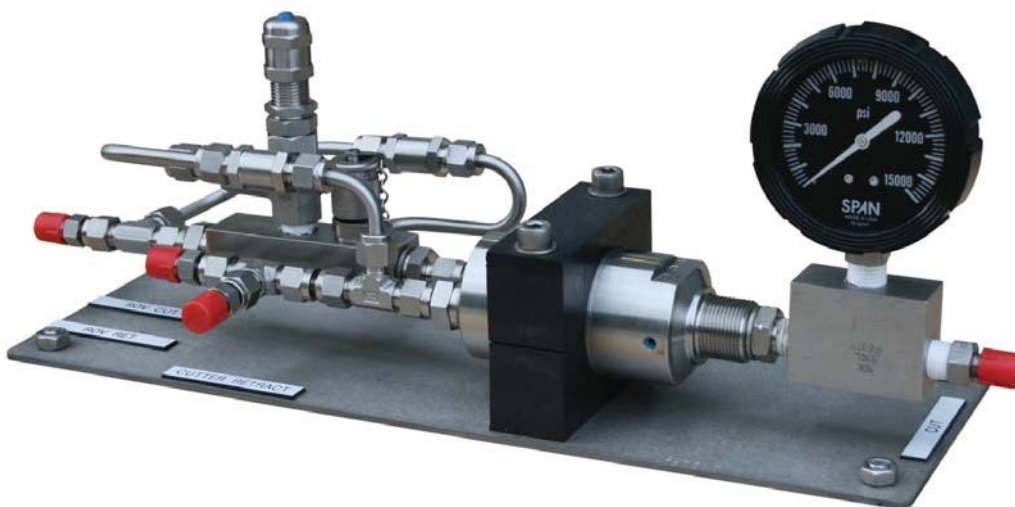


Multi-Fluid Intensifier

Pumping & Injection Systems



DESCRIPTION

Specialist ROV Tooling Services Ltd Multi-fluid Intensifier provides a multipurpose high pressure intensifier circuit suitable for directly mounting onto a subsea skid or direct to an ROV.

Designed primarily for use with Shell Tellus 22 or 32 grade hydraulic oils, this intensifier can operate using hydraulic oil, glycol or a water/glycol mixture. The Intensifier should be completely flushed when reverting to hydraulic oils.

An optional spares package can be included and shipped with this unit.

FEATURES

- Genuine minibooster intensifier
- 4:1 ratio as standard
- Suitable for oil or glycols
- Weighs less than 2kg in air
- Mounted on ROV friendly plate

Multi-Fluid Intensifier

Pumping & Injection Systems

HYDRAULIC INPUT

- Pressure 210Bar (3000psi)
- Flow 14Lmin

HYDRAULIC OUTPUT

- Pressure 690Bar (10000psi) dependant on ratio
- Output pressure fully adjustable

SPECIFICATIONS

- Standard Intensifier ratio 4:1
- Genuine mini-booster intensifier

FLUIDS

- Oil
- Glycol
- Water-Glycol mix

DIMENSIONS

- (L) 310 x (B) 135 x (H) 120mm

WEIGHT

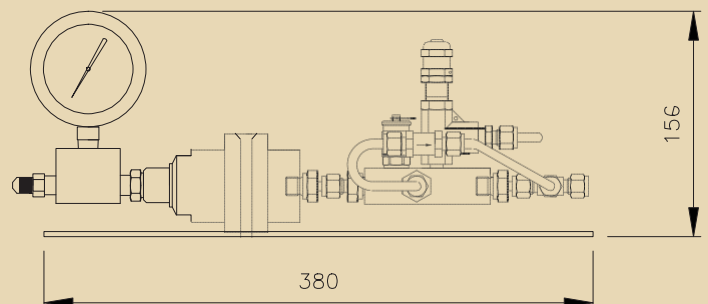
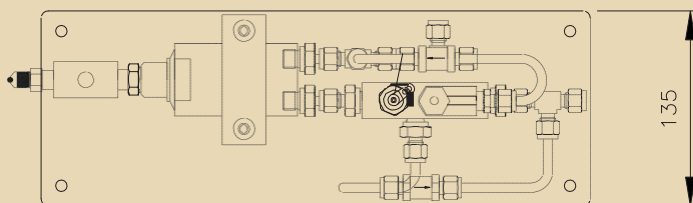
- 2Kgs

PART NUMBERS & OPTIONS

SRTS-16	Multi-Fluid Intensifier
SRTS-16-S	Remote location spares kit
SRTS-16-H	Hose kit

WHAT'S IN THE BOX

- Multi-Fluid Intensifier
- Operational hoses
- Operation manual



Scorpion Subsea

604 Greenwood St.
Morgan City, LA 70380

985-255-4444

sales@scorpionsubsea.com

www.scorpionsubsea.com

Datasheet SRTS_PRDS 816 Issue 3