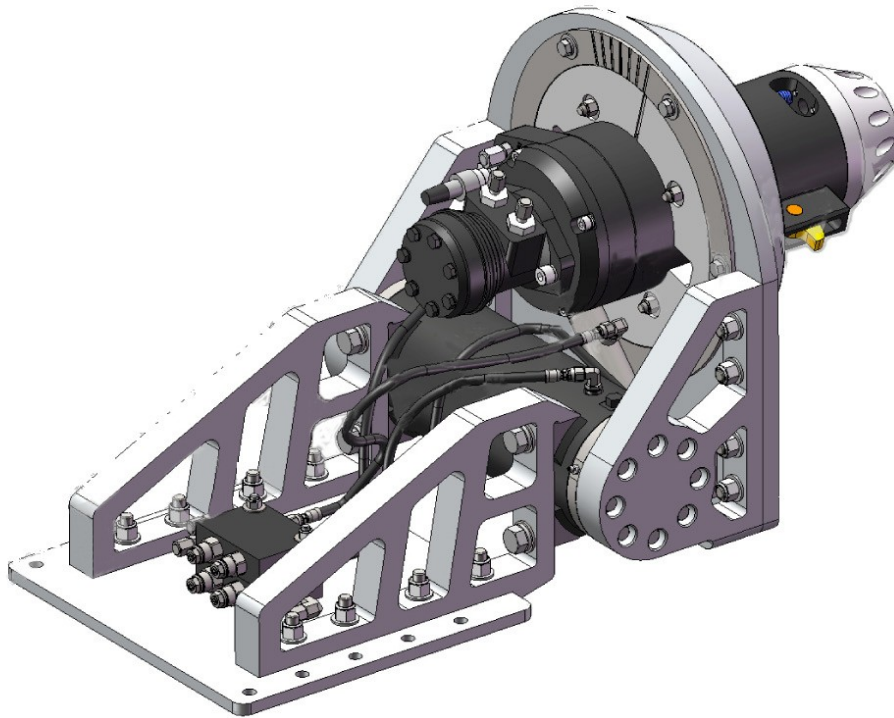


Upright Flying Lead Orientation Tool

ROV Tools.



DESCRIPTION

The FLOT tool is designed to operate in conjunction with a torque tool and is used to orientate and guide flying leads into the stab plate connections. The FLOT tool is designed to take the FORUM Class 1-4 torque tool, but can easily accommodate similar tools from other manufacturers. A rotary actuator allows a pitch alignment of plus 60 or minus 90 degrees with a load of up to 250kg attached. The tool is also equipped with a roll alignment function giving a rotation of plus or minus 15 degrees.

The FLOT tool is compact and the tool mounting base is supplied with a selection of mounting holes for mounting within the forward structure of the ROV. The pitch and roll actuators are controlled from the ROV's spare directional control valves.

FEATURES

+/- 15 deg roll angle

plus 60 minus 90 deg pitch

Counterbalance Valve on both actuators.

250kg Payload

Supplied in offshore suitable transit case.

Upright Flying Lead Orientation Tool

ROV Tools.

SPECIFICATIONS

Weight in air/water:	77 kg/57 kg (169 lbs/125lbs)
Pitch:	(excl torque tool)
Rotation:	+60,- 90 degrees
Payload Capacity:	+/- 15 degrees
	250kg (550lb) mounted on torque tool,
Hydraulic control from ROV:	through full range of travel.
Operating Fluid:	Two off bi directional solenoid control valves plus drain
Operating Pressure:	Hydraulic Oil
Hydraulic Fittings:	207 bar (3000 psi) JIC or Swagelok

WHAT'S IN THE BOX

Flying Lead Orientation Tool
 Adaptor to fit Forum Torque Tool
 Supply and return hoses.
 Operations & Maintenance Manual.

PART NUMBERS & OPTIONS

TL0017-0000-00	Upright Flying Lead Orientation Tool
TL0017-0800-00	Basic Spares Kit
TL0017-5000-00	Extending Deck for flying lead tool
TL0017-2000-00	Adaptor to allow fitment of Oceaneering Tool
TL0017-3000-00	Adaptor to allow fitment of Petrobras Tool

