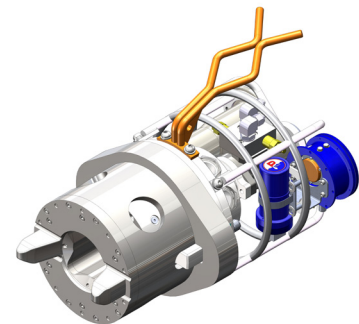


ISO 13628-8 17KNm

Torque Tool.



DESCRIPTION

This torque tool has been specifically developed to address the increasing requirement for a 17kNm Tool. The interface is based on the ISO 13628-8 Fig 18 Class 7, with the exception of the length of the nose of the tool, this is based on the industry standard. The tool can be supplied with a Class 6 Socket option.

The tool can be supplied with a hot stab receptacle, electronic turns counter and integrated compensator unit, to allow the tool to be deployed to the sub-sea work site in a basket, separate from the ROV and then connections made with a hot stab.

A socket inset is used to allow Class 6 size socket or Class 7 size socket valves to be operated.

FEATURES

ISO 13628-8 Fig 18 (API 17D) Class 6/7

Max Torque 17,000Nm (12,600ft lbs)

Dual Sensor Electronic Turns Counter

Supplied in offshore suitable transit case

ISO 13628-8 17KNm

Torque Tool.

SPECIFICATIONS

Torque Interface:	ISO 13628-8 Fig 18 (Reduced Length)
Maximum Torque:	17,000Nm (12,600ft lbs)
Socket Sizes:	3-1/2" Square & 2-5/8" Square
Weight in air/water:	74/55(160/120)
Electrical Connector:	8 Pin Burton
Sensors:	Dual Sensor Inductive Turns count sensor
Hydraulic:	Mineral Oil

WHAT'S IN THE BOX

- Torque Tool.
- Class 6 Socket
- Class 7 Socket
- Universal Subsea Display.
- USD Battery Pack.
- Fish Tail Handle
- Bladder style compensator
- Operations & Maintenance Manual.
- USD Charger

PART NUMBERS & OPTIONS

A019-962-201	ISO 13628-8 17KNm Torque Tool
A019-962-201/02	ISO 13628-8 17KNm Torque Tool with USD
A019-962-201/S	ISO 13628-8 17KNm Torque Tool Spares Kit
A019-958-151/02	Verification Unit
A286-001-050/04	Torque Tool Control System. (Note will not work in conjunction with USD)
TL0017-0000-00	FLOT
A019-962-250	Kit to fit 17 KNm tool to FLOT
A019-962-350	GHO Adaptor Kit

