



Gasket Replacement Tool

ROV Tools



DESCRIPTION

The Gasket Replacement Tool is designed to function with many industry standard seals. To provide a better, safer and highly versatile tool each kit ships with multiple rubberised shoe sets allowing easy and simple interchange for a variety of seal types.

Operating the tool is easy, after selecting the correct shoe set the tool is carefully guided into place and the cylinder deactivated causing the tool to expand and securely grip the seal bore. Should hydraulic systems fail the tool will remain fixed safely to the seal preventing unnecessary component loss.

FEATURES

- 16 3/4" and 18 3/4" Shoe sets supplied as standard
- 15" to 21" + shoe sets available for greater functionality
- Rubberised edges protect gaskets
- only 15kg in air



Gasket Replacement Tool

ROV Tools

SPECIFICATIONS

DEPTH RATING

- 3000msw

WEIGHT IN AIR

- 15 kg

MAX PRESSURE

- 210Bar (3000 psi)

MEDIA

- Hydraulic Oil Grade 22 / 32

SHOE SETS

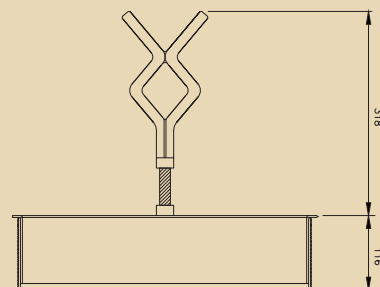
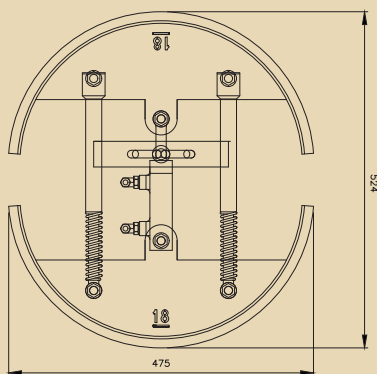
- 16 3/4" and 18 3/4" (as standard)
- Other sizes available

PART NUMBERS & OPTIONS

SRTS-08	Gasket Replacement Tool
SRTS-08-2	16 3/4" Shoe Set
SRTS-08-3	18 3/4" Shoe set
SRTS-08-4	Hydraulic cylinder
SRTS-08-9	21" Shoe Set
SRTS-08-10	15" Shoe Set

WHAT'S IN THE BOX

- Gasket Replacement Tool
- 16 3/4" Shoe Set
- 18 3/4" Shoe Set
- Spare hydraulic cylinder
- Operation manual
- Operational hoses



Scorpion Subsea
604 Greenwood St.
Morgan City, LA 70380

Datasheet SRTS_PRDS 808 Issue 3